

**SAI-08Z-VPUT-3A-M08L-PNP****Weidmüller Interface GmbH & Co. KG**

Klingenbergstraße 26

D-32758 Detmold

Germany

www.weidmueller.com



The new M8 hood distribution boxes are extremely compact and feature a comfortable PUSH IN connection. This allows a quick, safe and efficient cabling in the field.

A modular system is available for our hood distributors.

Individual markers offer the possibility of individual labeling of the distributor and the I/O sockets.

- 3- and 4-pole M8 I/O sockets
- 4, 6, 8 or 10 I/O sockets
- Protection class IP 67
- UL approval

**General ordering data**

|            |   |
|------------|---|
| Version    | Sensor-actuator passive distributor, M8, LED: Yes, Number of poles: 3, Number of contact sockets: 8 |
| Order No.  | <a href="#">2819030000</a>  |
| Type       | SAI-08Z-VPUT-3A-M08L-PNP  |
| GTIN (EAN) | 4064675330257   |
| Qty.       | 1 pc(s).  |

## SAI-08Z-VPUT-3A-M08L-PNP

Weidmüller Interface GmbH &amp; Co. KG

Klingenbergstraße 26

D-32758 Detmold

Germany

www.weidmueller.com

## Technical data

## Dimensions and weights

|            |      |
|------------|------|
| Net weight | 10 g |
|------------|------|

## Temperatures

|                       |            |
|-----------------------|------------|
| Operating temperature | -25 - 80°C |
|-----------------------|------------|

## Connection data

|                      |                             |                      |                     |
|----------------------|-----------------------------|----------------------|---------------------|
| Clamping range, min. | 0.08 mm <sup>2</sup>        | Clamping range, max. | 1.5 mm <sup>2</sup> |
| Distributor outlet   | Hood distributor lower part | Type of connection   | PUSH IN             |

## Electrical data

|   |      |                                |      |
|---|------|--------------------------------|------|
| Rated voltage, min.                     | 15 V | Rated voltage, max.            | 30 V |
| Max. current-carrying capacity per slot | 4 A  | Total current                  | 6 A  |
| Current per signal                      | 2 A  | Electrical isolation available | No   |

## General technical data

|                                     |       |                             |        |
|-------------------------------------|-------|-----------------------------|--------|
| Protection degree                   | IP67  | Number of poles             | 3      |
| Number of contact sockets           | 8     | Connection thread           | M8     |
| Pollution severity                  | 3     | Fire behaviour              | V-0    |
| LED                                 | Yes   | LED initiator               | Yes    |
| LED colour for indicating operation | green | LED colour for I/O function | yellow |

## Material data

|                          |                |                       |                             |
|--------------------------|----------------|-----------------------|-----------------------------|
| Material O-Ring          | FKM            | Housing main material | PBT                         |
| Material of distributor  | Plastic        | Housing colour        | black (similar to RAL 9005) |
| Hood sealing material    | FKM            | Screw socket          | Nickel-plated CuZn          |
| Contact material         | CuZn           | Contact surface       | Gold-plated                 |
| Contact carrier material | PBT (UL 94 V0) |                       |                             |

## Technical data cable

|                 |   |                             |    |
|-----------------|---|-----------------------------|----|
| Number of poles | 3 | Suitable for cable carriers | No |
|-----------------|---|-----------------------------|----|

## Classifications

|             |             |             |             |
|-------------|-------------|-------------|-------------|
| ETIM 6.0    | EC002585    | ETIM 7.0    | EC003558    |
| ETIM 8.0    | EC003558    | ETIM 9.0    | EC003558    |
| ETIM 10.0   | EC003558    | ECLASS 9.0  | 27-44-01-08 |
| ECLASS 9.1  | 27-44-01-08 | ECLASS 10.0 | 27-44-01-11 |
| ECLASS 11.0 | 27-44-01-11 | ECLASS 12.0 | 27-44-01-11 |
| ECLASS 13.0 | 27-44-01-11 | ECLASS 14.0 | 27-44-01-11 |
| ECLASS 15.0 | 27-44-01-11 |             |             |

## Environmental Product Compliance

|                        |                             |
|------------------------|-----------------------------|
| RoHS Compliance Status | Compliant without exemption |
| REACH SVHC             | No SVHC above 0.1 wt%       |

**Data sheet**

**SAI-08Z-VPUT-3A-M08L-PNP**

**Weidmüller Interface GmbH & Co. KG**  
 Klingenbergstraße 26  
 D-32758 Detmold  
 Germany  
 www.weidmueller.com

**Technical data**

**Approvals**

Approvals



|                         |   |
|-------------------------|---|
| Approvals MAMID         | <a href="https://mdcop.weidmueller.com/mediadelivery/rendition/900_319222/-T1z1mm-S800/">https://mdcop.weidmueller.com/mediadelivery/rendition/900_319222/-T1z1mm-S800/</a> <a href="https://mdcop.weidmueller.com/mediadelivery/rendition/900_319228/-T1z1mm-S800/">https://mdcop.weidmueller.com/mediadelivery/rendition/900_319228/-T1z1mm-S800/</a> <a href="https://mdcop.weidmueller.com/mediadelivery/rendition/900_319260/-T1z1mm-S800/">https://mdcop.weidmueller.com/mediadelivery/rendition/900_319260/-T1z1mm-S800/</a> |
| ROHS                    | Conform   |
| UL File Number Search   | UL Website  |
| Certificate no. (cULus) | E141197   |

**Downloads**

|                  |  |
|------------------|--|
| Engineering Data | <a href="#">CAD data – STEP</a>          |
| Catalogues       | <a href="#">Catalogues in PDF-format</a> |

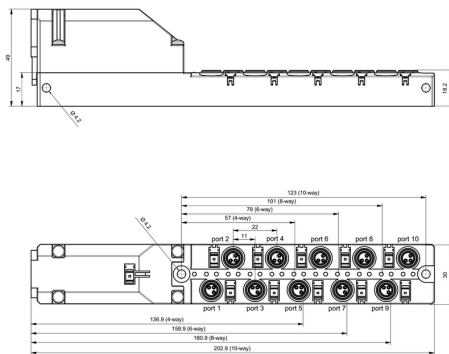
**SAI-08Z-VPUT-3A-M08L-PNP**

**Weidmüller Interface GmbH & Co. KG**  
 Klingenbergstraße 26  
 D-32758 Detmold  
 Germany

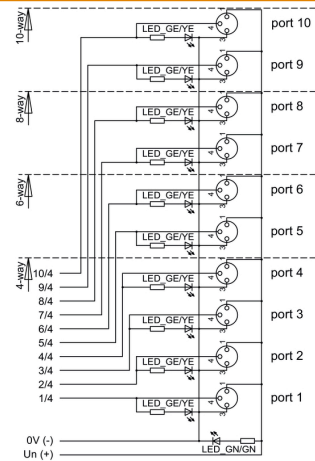
www.weidmueller.com

**Drawings**

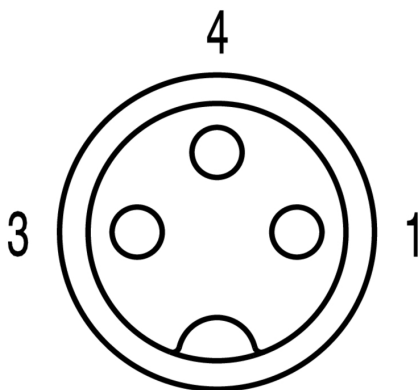
**Drawing**



**Wiring diagram**



**Pole scheme**



## SAI-08Z-VPUT-3A-M08L-PNP

**Weidmüller Interface GmbH & Co. KG**  
 Klingenbergstraße 26  
 D-32758 Detmold  
 Germany

www.weidmueller.com

## Accessories

## Screwty® cable gland tool with torque function

**The ideal tool for any application**

Screwty® is the ideal, all-purpose tool for tightening all common sensor and actuator cables. Even difficult-to-reach round plugs are accessible using the Screwty®. A simple turning movement tightens and loosens the connectors without the need for excessive force. The Screwty® is a unique and global solution since it fits with most cables and plugs from other vendors (over 90 %). The Screwty® consists of a handle with a conventional 1/4" adapter. Thus it can be used for all sizes: for M12 and M8 round plug-in connectors, and for M12F and M8F customisable plugs and sockets, as well as for all M23 plugs and sockets.

**General ordering data**

| Type       | SCREWTY SET -DM            | Version   | Packaging     |
|------------|----------------------------|---|---------------|
| Order No.  | <a href="#">1920000000</a> | Cable gland tool for M8, M12 lines and connectors | Cardboard box |
| GTIN (EAN) | 4032248436859              |   |               |
| Qty.       | 1 pc(s).                   |   |               |

**M8**

Protective caps protect unassigned plug-in stations against external influences.

**General ordering data**

| Type       | SAI-SK M8                  | Version  |
|------------|----------------------------|--|
| Order No.  | <a href="#">1802760000</a> | Protected component assemblies, Protective cap |
| GTIN (EAN) | 4032248257379              |  |
| Qty.       | 50 pc(s).                  |  |

**SAI-08Z-VPUT-3A-M08L-PNP**

**Weidmüller Interface GmbH & Co. KG**  
 Klingenbergstraße 26  
 D-32758 Detmold  
 Germany

www.weidmueller.com

**Accessories**

**Blank**



MultiFit is the Weidmüller marker system used for other makes of terminals. Similar to the Weidmüller Dekafix, the markers of the MultiFit family are available ready-for-use with standard printing.

We recommend to carry out a test with sample markers on the terminals used when using MultiFit for the first time.

- One marker, suitable for different makes of terminals.
- Ready-to-use markers with standard printing
- Blank markers for printing with the PrintJet CONNECT or Plotter
- Delivery of individually printed markers according to customer CAE data or specifications
- One marking system for all applications

**For custom printing:** Please send us a file of our labeling software M-Print PRO or M-Print PRO Online (without installation) for your labeling specifications.

**General ordering data**

|            |                            |         |  |
|------------|----------------------------|---------|--|
| Type       | MFF 10/6 MC NE WS          | Version |  |
| Order No.  | <a href="#">1856780000</a> |         | MultiFit, Terminal marker, 10 x 6 mm, Pitch in mm (P): 6.00 Festo. |
| GTIN (EAN) | 4032248400881              |         | white  |
| Qty.       | 600 pc(s).                 |         |  |