

KTB MH 453815 S2N1

Weidmüller Interface GmbH & Co. KG

Klingenbergstraße 26

D-32758 Detmold

Germany

www.weidmueller.com

Similar to illustration



Abbildung ähnlich

The Klippon® TB enclosure range provides excellent performance characteristics, even under the most difficult environmental conditions. In addition, it complies with the stricter requirements of potentially explosive atmospheres found specifically in the process or power generation industries. The Klippon® TB MH enclosure range offers further improvements to a product line that is already successfully leading the market.

The Klippon® TB MH enclosure range has the following advantages:

- Available in 15 sizes and 3 standard depths
- Equipped with up to 4 gland plates
- The gasket is protected against compression
- Completely removable padlock tab
- Cover lock outside the sealed zone
- Improved temperature performance
- IP66/IP67 protection
- Completely removable lid – without a tool
- Earthing stud in the cover and base of the enclosure
- Welded mounting feet
- International approvals

General ordering data

| | |
|------------|---|
| Version | Klippon TB MH (Terminal Box - Multi Hinge), Empty enclosure, stainless steel enclosure, Height: 458 mm, Width: 382 mm, Depth: 150 mm, Gland plates: Bottom, Material: Stainless steel 1.4301 (304), untreated, silver |
| Order No. | 1195010003 |
| Type | KTB MH 453815 S2N1 |
| GTIN (EAN) | 4050118106800 |
| Qty. | 1 pc(s). |

KTB MH 453815 S2N1
Weidmüller Interface GmbH & Co. KG

Klingenbergstraße 26

D-32758 Detmold

Germany

www.weidmueller.com
Technical data
Dimensions and weights

| | | | |
|-----------------------------|--------------|----------------------------|-------------|
| Depth | 150 mm | Depth (inches) | 5.905 inch |
| Height | 458 mm | Height (inches) | 18.031 inch |
| Width | 382 mm | Width (inches) | 15.039 inch |
| Mounting dimension - height | 305 mm | Mounting dimension - width | 408 mm |
| Net weight | 14,359.588 g | | |

Temperatures

| | | |
|-----------------------|----------------------------------|---|
| Operating temperature | Note: room temperature (service) | Limited to IP66 protection when used in temperatures greater than 105 °C. |
| -60 °C...135 °C | | |

Cable glands, left

| | | | |
|-----|----|-----|----|
| M12 | 33 | M16 | 19 |
| M20 | 16 | M25 | 7 |
| M32 | 6 | M40 | 5 |
| M50 | 4 | M63 | 0 |
| M75 | 0 | | |

Cable glands, right

| | | | |
|-----|----|-----|----|
| M12 | 33 | M16 | 19 |
| M20 | 16 | M25 | 7 |
| M32 | 6 | M40 | 5 |
| M50 | 4 | M63 | 0 |
| M75 | 0 | | |

Cable glands, top/bottom

| | | | |
|-----|----|-----|----|
| M12 | 30 | M16 | 17 |
| M20 | 15 | M25 | 6 |
| M32 | 5 | M40 | 4 |
| M50 | 4 | M63 | 0 |
| M75 | 0 | | |

Certificate numbers enclosure

| | | | |
|--|--|---|---------------------------|
| Approval conditions | ATEX, CCoE, DNV, IECEx, INMETRO, KC, NEPSI, CCC, UL AEx Class Div., UL AEx Class Zone, cULus | Attestation of Conformatiy No. (AoC) | DE PS261X 160309 001ISS06 |
| Certificate No. (ATEX) | PTB11ATEX2019 | Certificate No. (CCOE) | P461058_1 |
| Certificate No. (DNV) | TAE000013S | Certificate No. (IECEX) | IECEXPTB11.0071 |
| Certificate No. Electronic Box (NEPSI) | 2020322303003289 | Certificate No. UL 508A | E223801 |
| Certificate No. UL Haz.Loc. | E223792 | Certificate No. UL Ord.Loc. | E243298 |
| Certificate No. UL Terminal Box | E223792 | Certificate no. (INMETRO) | IEX13.0007 |
| Certificate no. (cULus) | E243298 | Certificate no. Terminal Box (INMETRO) | LMP 21.0017 |
| Certificate no. empty enclosure (ECAS) | 21-09-25241/ E21-09-053807 | Certificate no. empty enclosure (INMETRO) | LMP 21.0016U |
| Declaration of Conformatiy No. (DoC LVD) | DE PS261X 160412 001ISS03 | | |

KTB MH 453815 S2N1
Weidmüller Interface GmbH & Co. KG

Klingenbergstraße 26

D-32758 Detmold

Germany

www.weidmueller.com

Technical data
General information

| | | | |
|------------------------------|---|---------------------------------|---|
| AF size | 10 mm | Access opening: height | 405 mm |
| Access opening: width | | Areas of use | Explosive risk zone, Process industry, Oil and gas industry, Chemical industry, Offshore, Onshore |
| | 323 mm | Enclosure attachment | 4 welded-on mounting feet with 11 mm holes (2 slotted feet and 2 cross-shaped feet) |
| Dimension of box | | Flange plate mounting | M6 hexagonal head screws 10 SW |
| | 580x620x240 | Impact resistance | 7 J ATEX version, 10 J version standard |
| Flange plate | Yes | Lid | Yes |
| Gland plates | Bottom | Material | Stainless steel 1.4301 (304) |
| Integral fixing | 4, 6 or 9 stud bolts M6 inner (female) thread | Material thickness of enclosure | 1.5 mm |
| Lid attachment | 4 hinges and M6 hex-head slotted screws SW10 | Max. payload | 70 kg |
| Material thickness of cover | 1.5 mm | Number of lid screws | 4 |
| Material thickness of flange | 3 mm | Operating temperature, max. | 135 °C |
| Note: protection class | If used in temperature ranges above 105 °C, IP protection is limited to IP 66. | Overall dimensions | 469 x 433 x 165 |
| Opening angle lid | 130 ° | Protection class (UL) | Type 3, Type 4X, Type 12 |
| Operating temperature, min. | -60 °C | Seal material | Silicone |
| Position PE bolts | Enclosure side C | Surface finish | untreated |
| Protection degree | IP66, IP67 | | |
| Standards | DIN EN 62208 - Empty enclosure standard, DIN EN 61373 Class 1B**, DIN EN 15085-2, EN 60079-0, EN 60079-7, EN 60079-31, IEC 60079-0, IEC 60079-7, IEC 60079-31 | | |
| Torque for lid screws | 2.5 Nm | | |

Housing earth

| | |
|----------------------------|--|
| Earth, enclosure, internal | Welded-on M6 stainless-steel earth stud in enclosure body and lid. |
|----------------------------|--|

horizontal assembly

| | | | |
|-----------------------------|------|-----------------|------|
| WDU 10 / ZDU 10 | 2x27 | WDU 16 / ZDU 16 | 2x22 |
| WDU 2,5 / ZDU 2,5 / IDU 2,5 | 4x54 | WDU 35 / ZDU 35 | 1x17 |
| WDU 4 / ZDU 4 | 3x46 | WDU 6 / ZDU 6 | 3x34 |

vertical assembly

| | | | |
|-----------------------------|------|-----------------|------|
| WDU 10 / ZDU 10 | 2x36 | WDU 16 / ZDU 16 | 2x29 |
| WDU 2,5 / ZDU 2,5 / IDU 2,5 | 3x71 | WDU 35 / ZDU 35 | 1x22 |
| WDU 4 / ZDU 4 | 2x59 | WDU 6 / ZDU 6 | 2x44 |

KTB MH 453815 S2N1

Weidmüller Interface GmbH & Co. KG
 Klingenbergstraße 26
 D-32758 Detmold
 Germany

www.weidmueller.com

Technical data

Classifications

| | | | |
|-------------|-------------|-------------|-------------|
| ETIM 6.0 | EC002503 | ETIM 7.0 | EC002503 |
| ETIM 8.0 | EC002503 | ETIM 9.0 | EC002503 |
| ETIM 10.0 | EC002503 | ECLASS 9.0 | 27-18-05-02 |
| ECLASS 9.1 | 27-18-05-02 | ECLASS 10.0 | 27-18-05-02 |
| ECLASS 11.0 | 27-18-05-02 | ECLASS 12.0 | 27-18-05-02 |
| ECLASS 13.0 | 27-18-05-02 | ECLASS 14.0 | 27-18-05-02 |
| ECLASS 15.0 | 27-18-05-02 | | |

Environmental Product Compliance

| | |
|--------------------------------------|--------------------------------------|
| RoHS Compliance Status | Compliant with exemption |
| RoHS Exemption (if applicable/known) | 6c |
| REACH SVHC | Lead 7439-92-1 |
| SCIP | 8d5fcdfe-c58e-44e1-a6b4-74d2bbccc9dd |

Important note

| | |
|---------------------|-----------------------------------|
| Product information | Minimum order quantity (5 pieces) |
|---------------------|-----------------------------------|

KTB MH 453815 S2N1

Weidmüller Interface GmbH & Co. KG
 Klingenbergstraße 26
 D-32758 Detmold
 Germany

www.weidmueller.com

Technical data

Approvals

Approvals



Approvals MAMID

https://mdcop.weidmueller.com/mediadelivery/rendition/900_319217/-T1z1mm-S800/ https://mdcop.weidmueller.com/mediadelivery/rendition/900_319219/-T1z1mm-S800/ https://mdcop.weidmueller.com/mediadelivery/rendition/900_319222/-T1z1mm-S800/ https://mdcop.weidmueller.com/mediadelivery/rendition/900_319228/-T1z1mm-S800/ https://mdcop.weidmueller.com/mediadelivery/rendition/900_319234/-T1z1mm-S800/ https://mdcop.weidmueller.com/mediadelivery/rendition/900_319239/-T1z1mm-S800/ https://mdcop.weidmueller.com/mediadelivery/rendition/900_319240/-T1z1mm-S800/ https://mdcop.weidmueller.com/mediadelivery/rendition/900_319242/-T1z1mm-S800/ https://mdcop.weidmueller.com/mediadelivery/rendition/900_319243/-T1z1mm-S800/ https://mdcop.weidmueller.com/mediadelivery/rendition/900_319245/-T1z1mm-S800/ https://mdcop.weidmueller.com/mediadelivery/rendition/900_319251/-T1z1mm-S800/ https://mdcop.weidmueller.com/mediadelivery/rendition/900_319254/-T1z1mm-S800/ https://mdcop.weidmueller.com/mediadelivery/rendition/900_319260/-T1z1mm-S800/

| | |
|-------------------------|------------|
| ROHS | Conform |
| UL File Number Search | UL Website |
| Certificate no. (cULus) | E243298 |

KTB MH 453815 S2N1

Weidmüller Interface GmbH & Co. KG
Klingenbergstraße 26
D-32758 Detmold
Germany

www.weidmueller.com

Technical data

Downloads

| | |
|---|---|
| Approval/Certificate/Document of Conformity | CCC 2020322303002358 KTB Assembly Enclosure CCC 2020322303002357 KTB Empty Enclosure CERTIFICADO - LMP 21.0016U_INVÓLUCRO VAZIO KLIPPON TB FS... (KTB FS), TB MH... (KTB MH), TB OL... (KTB OL) (Rev.02) Attestation of Conformity - Klippon TB Empty Enclosures - AoC DE PS261X 160309.001ISS06 UKCA Attestation of Conformity - Klippon TB Empty Enclosures - AoC UKCA DE PS261X 220623.000ISS00 IBEXU14ATEX1028U IBEXU14ATEX1050 IECEXIBE14.0004U IECEXIBE14.0013 TAE000013S IECEXPTB11.0071 PTB11ATEX2019 16-AV4BO-245X P4610581_1 24-01-100099/E24-01-102546/NB10 CERTIFICADO LMP 21.0017 KLIPPON TB EU Declaration of Conformity - Klippon TB Empty Enclosures - DoC DE PS261X 160412.001ISS03 UKCA Declaration of Conformity - Klippon TB Empty Enclosures - UKCA DE PS261X 220623.001ISS00 |
| User Documentation | Assembly guidelines - empty enclosures |
| Catalogues | Catalogues in PDF-format |

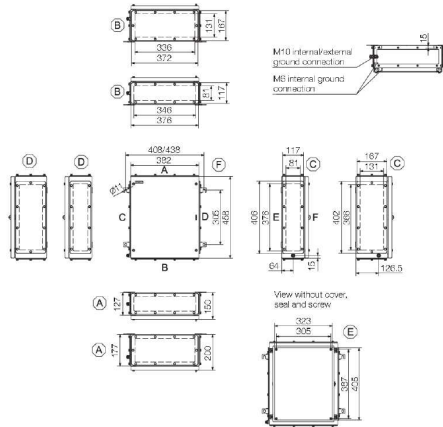
KTB MH 453815 S2N1

Weidmüller Interface GmbH & Co. KG
Klingenbergstraße 26
D-32758 Detmold
Germany

www.weidmueller.com

Drawings

Dimensioned drawing



KTB MH 453815 S2N1

Weidmüller Interface GmbH & Co. KG
 Klingenbergstraße 26
 D-32758 Detmold
 Germany

www.weidmueller.com

Accessories

Document holders



Integrate, expand and customise - the perfect supplement to every application

The fully structured range of system accessories for the new Klippon® TB enclosure series allows you to easily adapt the enclosures to meet the specific requirements of every application.

Document holders

Document holders for the proper storage of documents in the enclosure

General ordering data

| Type | DOHA KTB A5 S2 R | Version |
|------------|----------------------------|--|
| Order No. | 1252750000 | Klippon TB (Terminal Box), Document holders, Riveted, Height: 150 |
| GTIN (EAN) | 4050118045390 | mm, Width: 180 mm, Depth: 20 mm, Material: Stainless steel 1.4301, |
| Qty. | 1 pc(s). | Mirror polished, silver |
| Type | DOHA KTB A6 S2 R | Version |
| Order No. | 1252780000 | Klippon TB (Terminal Box), Document holders, Riveted, Height: 110 |
| GTIN (EAN) | 4050118045512 | mm, Width: 130 mm, Depth: 20 mm, Material: Stainless steel 1.4301, |
| Qty. | 1 pc(s). | Mirror polished, silver |

Mounting plates



Mounting plates, with and without hole patterns, for longitudinal and transverse mounting of DIN mounting rails or components directly onto the mounting plate.

General ordering data

| Type | GFSC M5X10 TX20 SET | Version |
|------------|----------------------------|---|
| Order No. | 1274150000 | Klippon EB (Essential Box), Mounting screw, Height: 13.3 mm, Width: |
| GTIN (EAN) | 4050118063820 | 8.5 mm, Depth: 8.5 mm, Material: Steel, galvanized, galvanic zinc |
| Qty. | 1 pc(s). | plated and passivated, silver |

KTB MH 453815 S2N1

Weidmüller Interface GmbH & Co. KG
 Klingenbergstraße 26
 D-32758 Detmold
 Germany

www.weidmueller.com

Accessories

Gland plates with earthing studs



Integrate, expand and customise: The ideal expansion for every application

The consistent structure of accessories for the new Klippon® TB enclosure range means that you can easily adapt the enclosure to the specific requirements of each application.

Flange plates

Flange plates in two thicknesses, for easy replacement of pre-assembl

General ordering data

| Type | KTB GP XX3815V AB S4 PE | Version |
|------------|----------------------------|--|
| Order No. | 2023490000 | Klippon TB (Terminal Box), flange plate, straight, Height: 376 mm, |
| GTIN (EAN) | 4050118404012 | Width: 117 mm, Depth: 3 mm, Gland plates: top, Bottom, Material: |
| Qty. | 1 pc(s). | Stainless steel 1.4404, electropolished, silver |

Stainless steel 1.4301



Integrate, expand and customise: The ideal expansion for every application

The consistent structure of accessories for the new Klippon® TB enclosure range means that you can easily adapt the enclosure to the specific requirements of each application.

Rain Covers

The rain cover provides an ideal, additional level of protection for the enclosure if it is installed in unusual climatic zones with, for instance, very heavy rainfall or extreme levels of direct sunlight.

General ordering data

| Type | KTB RNHD 453815 R | Version |
|------------|----------------------------|---|
| Order No. | 1281450000 | Klippon TB (Terminal Box), Rain hood, Height: 53.4 mm, Width: 387 |
| GTIN (EAN) | 4050118072143 | mm, Depth: 160.5 mm, Material: Stainless steel 1.4301, Mirror |
| Qty. | 1 pc(s). | polished, silver |

KTB MH 453815 S2N1

Weidmüller Interface GmbH & Co. KG
Klingenbergstraße 26
D-32758 Detmold
Germany

www.weidmueller.com

Accessories

Gland plates without earthing studs



Integrate, expand and customise: The ideal expansion for every application

The consistent structure of accessories for the new Klippon® TB enclosure range means that you can easily adapt the enclosure to the specific requirements of each application.

Flange plates

Flange plates in two thicknesses, for easy replacement of pre-assembl

General ordering data

| Type | KTB GP XX3815V AB S4 3MM | Version |
|------------|----------------------------|--|
| Order No. | 1281070000 | Klippon TB (Terminal Box), flange plate, straight, Height: 376 mm, |
| GTIN (EAN) | 4050118071672 | Width: 117 mm, Depth: 3 mm, Gland plates: top, Bottom, Material: |
| Qty. | 1 pc(s). | Stainless steel 1.4404, electropolished, silver |

458 x 382mm



Integrate, expand and customise: The ideal expansion for every application

The consistent structure of accessories for the new Klippon® TB enclosure range means that you can easily adapt the enclosure to the specific requirements of each application.

Mounting plates

Mounting plates, with and without hole patterns, for longitudinal and transverse mounting of DIN mounting rails or components directly onto the mounting plate.

General ordering data

| | | |
|------------|----------------------------|--|
| Type | KTB MOPL 4538 MSZN | Version |
| Order No. | 1193990000 | Klippon TB (Terminal Box), Mounting plate, Height: 403 mm, Width: |
| GTIN (EAN) | 4050118028591 | 321 mm, Depth: 1.5 mm, Material: Sheet steel, galvanized, silver |
| Qty. | 1 pc(s). | |
| Type | KTB MOPL 4538 MSZN H | Version |
| Order No. | 2022590000 | Klippon TB (Terminal Box), Mounting plate, prepunched, Height: |
| GTIN (EAN) | 4050118403657 | 403 mm, Width: 321 mm, Depth: 1.5 mm, Material: Sheet steel, |
| Qty. | 1 pc(s). | galvanized, silver |
| Type | KTB MOPL 4538 S2N H | Version |
| Order No. | 1257700000 | Klippon TB (Terminal Box), Mounting plate, prepunched, Height: 403 |
| GTIN (EAN) | 4050118049411 | mm, Width: 321 mm, Depth: 1.5 mm, Material: Stainless steel 1.4301 |
| Qty. | 1 pc(s). | (304), untreated, silver |
| Type | KTB MOPL 4538 S2N | Version |
| Order No. | 1193860000 | Klippon TB (Terminal Box), Mounting plate, Height: 403 mm, Width: |
| GTIN (EAN) | 4050118028461 | 321 mm, Depth: 1.5 mm, Material: Stainless steel 1.4301 (304), |
| Qty. | 1 pc(s). | untreated, silver |

KTB MH 453815 S2N1

Weidmüller Interface GmbH & Co. KG
 Klingenbergstraße 26
 D-32758 Detmold
 Germany

www.weidmueller.com

Accessories

Grounding strap

The fully structured range of system accessories for the new Klippon® TB enclosure series allows you to easily adapt the enclosures to meet the specific requirements of every application. The following options are available:

- Closure Elements
- Document holders
- Earthing stud
- Gland plates
- Installation material
- Mounting plates
- Rain hoods
- Spacer
- Terminal rails
- Type label holder

General ordering data

| | | |
|------------|----------------------------|--|
| Type | PECD WIRE 6/200/D6 SET | Version |
| Order No. | 2475490000 | Klippon TB (Terminal Box), Grounding strap, Sscrewed, Material: Steel, |
| GTIN (EAN) | 4050118487206 | Green/yellow |
| Qty. | 1 pc(s). | |

Earthing stud



Integrate, expand and customise: The ideal expansion for every application

The consistent structure of accessories for the new Klippon® TB enclosure range means that you can easily adapt the enclosure to the specific requirements of each application.

Earthing bolt

Earthing bolts to exchange as a complete component in two versions – brass and stainless steel.

General ordering data

| | | |
|------------|----------------------------|--|
| Type | PEBZ M10 KTB S4 SET | Version |
| Order No. | 1192690000 | Klippon TB (Terminal Box), Earthing stud, Miscellaneous, Height: 21 mm, Width: 21 mm, Depth: 48.7 mm, Material: Stainless steel |
| GTIN (EAN) | 4032248974658 | 1.4404, untreated, silver |
| Qty. | 1 pc(s). | |
| Type | PEBZ M10 KTB BR SET | Version |
| Order No. | 1192680000 | Klippon TB (Terminal Box), Earthing stud, Miscellaneous, Height: 21 mm, Width: 21 mm, Depth: 48.7 mm, Material: Brass, untreated, silver |
| GTIN (EAN) | 4032248974641 | |
| Qty. | 1 pc(s). | |

KTB MH 453815 S2N1

Weidmüller Interface GmbH & Co. KG
 Klingenbergstraße 26
 D-32758 Detmold
 Germany

www.weidmueller.com

Accessories

Depth 7.5 mm



General ordering data

| | | |
|------------|----------------------------|---|
| Type | TS35X7.5 ST KTB4538 VER | Version |
| Order No. | 8000006713 | Rail, TS 35, TS 35 x 7.5, Width: 403 mm, without slot, Steel, galvanic zinc plated and passivated |
| GTIN (EAN) | 4050118652864 | |
| Qty. | 20 pc(s). | |
| Type | TS35X7.5 ST KTB4538 HOR | Version |
| Order No. | 8000006724 | Rail, TS 35, TS 35 x 7.5, Width: 321 mm, without slot, Steel, galvanized, chromium-plated |
| GTIN (EAN) | 4050118652925 | |
| Qty. | 20 pc(s). | |

Type label holder



Integrate, expand and customise: The ideal expansion for every application

The consistent structure of accessories for the new Klippon® TB enclosure range means that you can easily adapt the enclosure to the specific requirements of each application.

Nameplate holders

There are a variety of designed label holders available for prominent display as required and for additional nameplates as needed.

General ordering data

| | | |
|------------|----------------------------|---|
| Type | TPSDHA KTB 70X70M3 S2 R | Version |
| Order No. | 1279320000 | Klippon TB (Terminal Box), Ratings plate holder, Riveted, Height: 70 mm, Width: 70 mm, Depth: 20 mm, Material: Stainless steel 1.4301, Mirror polished, silver |
| GTIN (EAN) | 4050118070101 | |
| Qty. | 1 pc(s). | |
| Type | TPSDHA KTB 130X50 S2 R | Version |
| Order No. | 1283450000 | Klippon TB (Terminal Box), Ratings plate holder, Riveted, Height: 50 mm, Width: 171 mm, Depth: 16.5 mm, Material: Stainless steel 1.4301, Mirror polished, silver |
| GTIN (EAN) | 4050118073621 | |
| Qty. | 1 pc(s). | |
| Type | TPSDHA KTB 100X25 S2 2R | Version |
| Order No. | 1257640000 | Klippon TB (Terminal Box), Ratings plate holder, Riveted, Height: 25 mm, Width: 141 mm, Depth: 16.5 mm, Material: Stainless steel 1.4301, Mirror polished, silver |
| GTIN (EAN) | 4050118070354 | |
| Qty. | 1 pc(s). | |

KTB MH 453815 S2N1

Weidmüller Interface GmbH & Co. KG
 Klingenbergstraße 26
 D-32758 Detmold
 Germany

www.weidmueller.com

Accessories

Depth 15 mm



General ordering data

| | | |
|------------|----------------------------|---|
| Type | TS35X15 ST KTB4538 VER | Version |
| Order No. | 8000073118 | Rail, TS 35, TS 35 x 15, Width: 403 mm, without slot, Steel, galvanic |
| GTIN (EAN) | 4064675340737 | zinc plated and passivated |
| Qty. | 20 pc(s). | |
| Type | TS35X15 ST KTB4538 HOR | Version |
| Order No. | 8000073117 | Rail, TS 35, TS 35 x 15, Width: 321 mm, without slot, Steel, galvanic |
| GTIN (EAN) | 4064675340720 | zinc plated and passivated |
| Qty. | 20 pc(s). | |

Gland plates made out of stainless steel - 6 mm



Integrate, expand and customise: The ideal expansion for every application

The consistent structure of accessories for the new Klippon® TB enclosure range means that you can easily adapt the enclosure to the specific requirements of each application.

Flange plates

Flange plates in two thicknesses, for easy replacement of pre-assembl

General ordering data

| | | |
|------------|----------------------------|--|
| Type | KTB GP XX3815V AB S4 6MM | Version |
| Order No. | 1256480000 | Klippon TB (Terminal Box), flange plate, straight, Height: 376 mm, |
| GTIN (EAN) | 4050118093865 | Width: 117 mm, Depth: 6 mm, Gland plates: top, Bottom, Material: |
| Qty. | 1 pc(s). | Stainless steel 1.4404, electropolished, silver |

KTB MH 453815 S2N1

Weidmüller Interface GmbH & Co. KG
Klingenbergstraße 26
D-32758 Detmold
Germany

www.weidmueller.com

Accessories

Stainless steel 1.4404 (316L)



Integrate, expand and customise: The ideal expansion for every application

The consistent structure of accessories for the new Klippon® TB enclosure range means that you can easily adapt the enclosure to the specific requirements of each application.

Rain Covers

The rain cover provides an ideal, additional level of protection for the enclosure if it is installed in unusual climatic zones with, for instance, very heavy rainfall or extreme levels of direct sunlight.

General ordering data

| Type | KTB RNHD XX3815V S4E R | Version |
|------------|----------------------------|---|
| Order No. | 1314190000 | Klippon TB (Terminal Box), Rain hood, Height: 53.4 mm, Width: 387 |
| GTIN (EAN) | 4050118117264 | mm, Depth: 160.5 mm, Material: Stainless steel 1.4404 (316L), |
| Qty. | 1 pc(s). | electropolished, silver |

Installation material



Integrate, expand and customise - the perfect supplement to every application

The fully structured range of system accessories for the new Klippon® TB enclosure series allows you to easily adapt the enclosures to meet the specific requirements of every application.

Mounting hardware kits

Mounting hardware kits are available for quick and easy installation of type label holders, document holders and rain hoods.

The **label fastening set – SD** is required to install a plastic (Trafolyte) ID or type label. With the aid of this set can you mount the ID or type label directly on the enclosure cover. The label fastening set has been specially developed for this purpose. Only by using this fastening set can you ensure that there will be no leaks into the enclosure or damage to the label.

The **universal fastening set – TPSD** has been developed to enable secure and quick installation of type label holders, rain covers or document holders, for example. By using this fastening set, the risk of leaks can be minimised, if not avoided.

General ordering data

| Type | FKSC M6X8 D9/SW3 | Version |
|------------|----------------------------|--|
| Order No. | 0642600000 | Klippon TB (Terminal Box), Mounting screw, Material: Steel |
| GTIN (EAN) | 4008190058258 | |
| Qty. | 50 pc(s). | |
| Type | SD FIXING SET | Version |
| Order No. | 1285200000 | Klippon TB (Terminal Box), Identification plate fixing set, Height: 12 |
| GTIN (EAN) | 4050118075472 | mm, Width: 12 mm, Depth: 16.4 mm, Material: Stainless steel, rust- |
| Qty. | 1 pc(s). | proof, untreated, silver |

Data sheet**KTB MH 453815 S2N1**

Weidmüller Interface GmbH & Co. KG
Klingenbergstraße 26
D-32758 Detmold
Germany

www.weidmueller.com

Accessories

| Type | TPSD FIXING SET KTB | Version |
|------------|----------------------------|--|
| Order No. | 1252190000 | Klippon TB (Terminal Box), Type plate fixings set, Material: Stainless |
| GTIN (EAN) | 4050118043969 | steel, rust-proof, untreated, silver |
| Qty. | 20 pc(s). | |