

M12 male 0° D-cod. screw terminal4-pol., max. 0,75mm², 6 - 8mm, shielded

Art.No.: 7000-14591-0000000

Weight: 0.042 kg

Country of origin: HU

Model designation: M12 D-CODE ST GER 6..8MM gesch.

Ethernet CAT5

Male straight

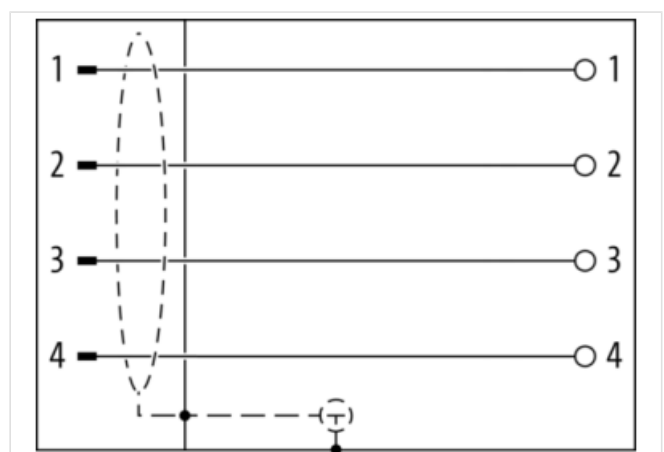
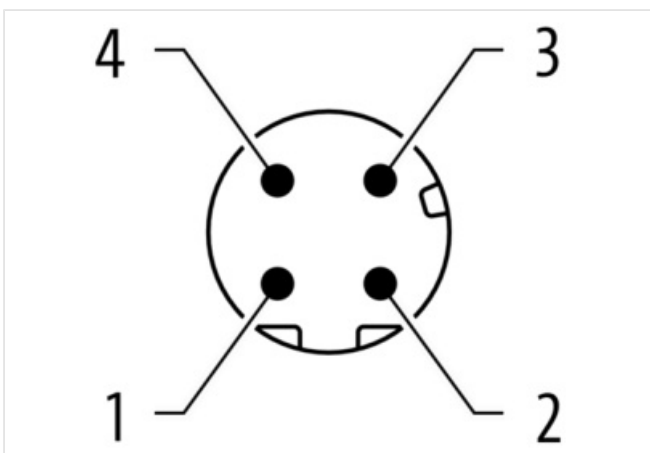
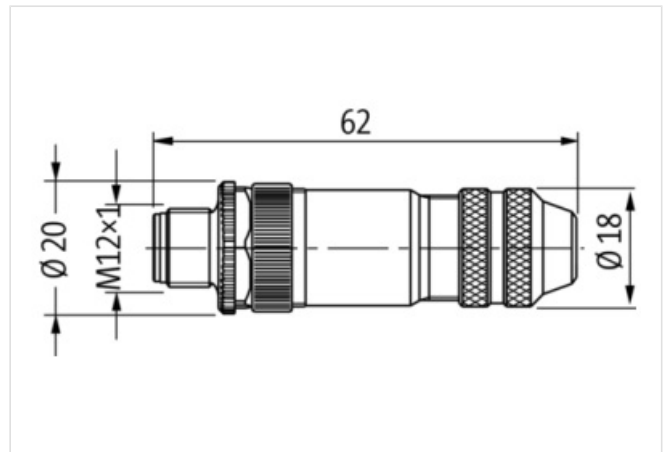
M12, 4-pole

D-coded

Shielded

Screw terminals

Sealing range (cable Ø): 6...8 mm

[Link to Product](#)**Illustration**

Product may differ from Image

**Side 1**

| | |
|--|---|
| Family construction form | M12 |
| Coding | D |
| Degree of protection (EN IEC 60529) | IP67 |
| Commercial data | |
| URL Webshop | https://shop.murrelektronik.com/7000-14591-0000000 |
| Customs tariff number | 85366990 |
| customs tariff number | 85366990 |
| EAN | 4048879536639 |
| Packaging unit | 1 |
| Electrical data Supply | |
| Operating voltage AC max. | 250 V |
| Operating voltage DC max. | 250 V |
| Current operating per contact max. | 4 A |
| Industrial Communication | |
| Data transmission rate max. | 100 Mbit/s |
| Transfer parameters | CAT5, Class D (ISO/IEC 11801:2002), (EN 50173-1) |
| Industrial communication Ethernet functionality | |
| duplex | Full duplex |
| Installation | |
| Connection cross section max. | 0,75 mm ² |
| Device protection Electrical | |
| Additional condition protection degree | inserted, screwed |
| Mechanical data Material data | |
| Locking material | Zinc die-casting |
| Coating locking | Nickel |
| Mechanical data Mounting data | |
| Clamping range min. | 6 mm |
| Clamping range max. | 8 mm |
| Environmental characteristics Climatic | |
| Operating temperature min. | -40 °C |
| Operating temperature max. | 85 °C |
| Important installation notes | |
| Note on bending radius | Attention: Observe the permissible bending radii when laying cables, as the IP protection class can be endangered by excessive bending forces. |
| Note on strain relief | Protect the connectors by suitable measures from mechanical loads, e.g. by the usage of cable ties. |